

Axial Check Valve "CKR"

Application:

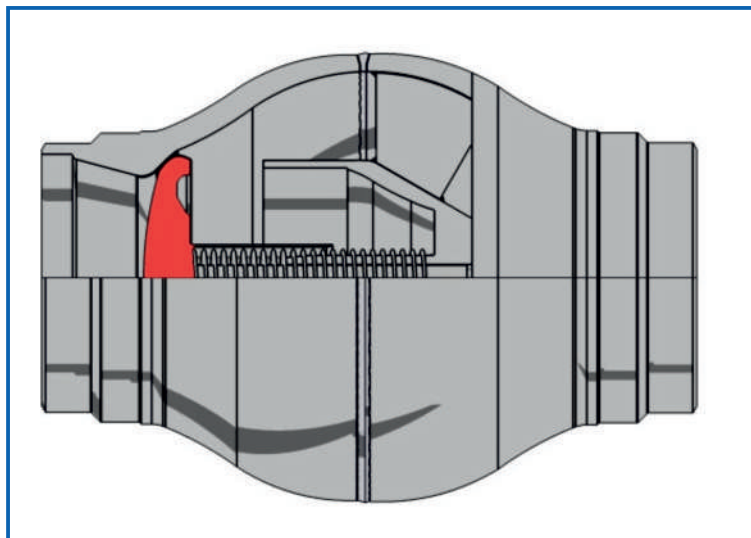
The axial check valve has been designed to avoid the backflow in gas lines

Versions:

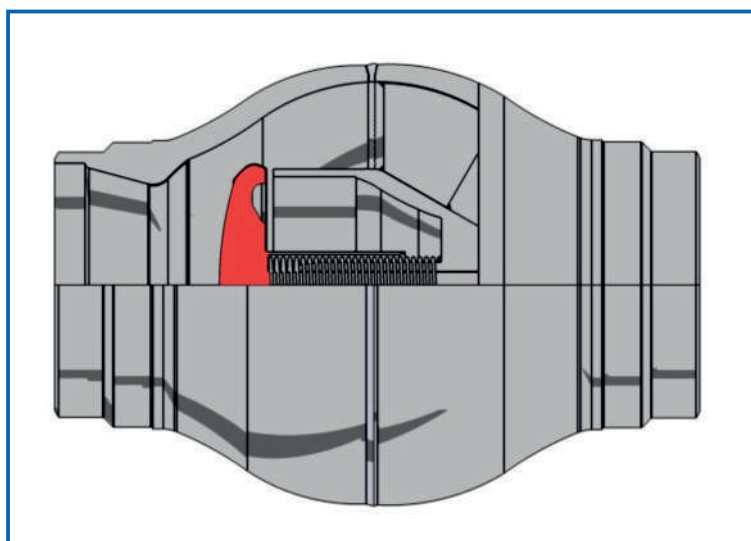
- with welding ends
- with flanges (RF or RTJ type)

Sizes:

- 1" (DN 25) up to 56" (DN 1400)
- pressure class ANSI 150 up to ANSI 1500



Check valve in closed position



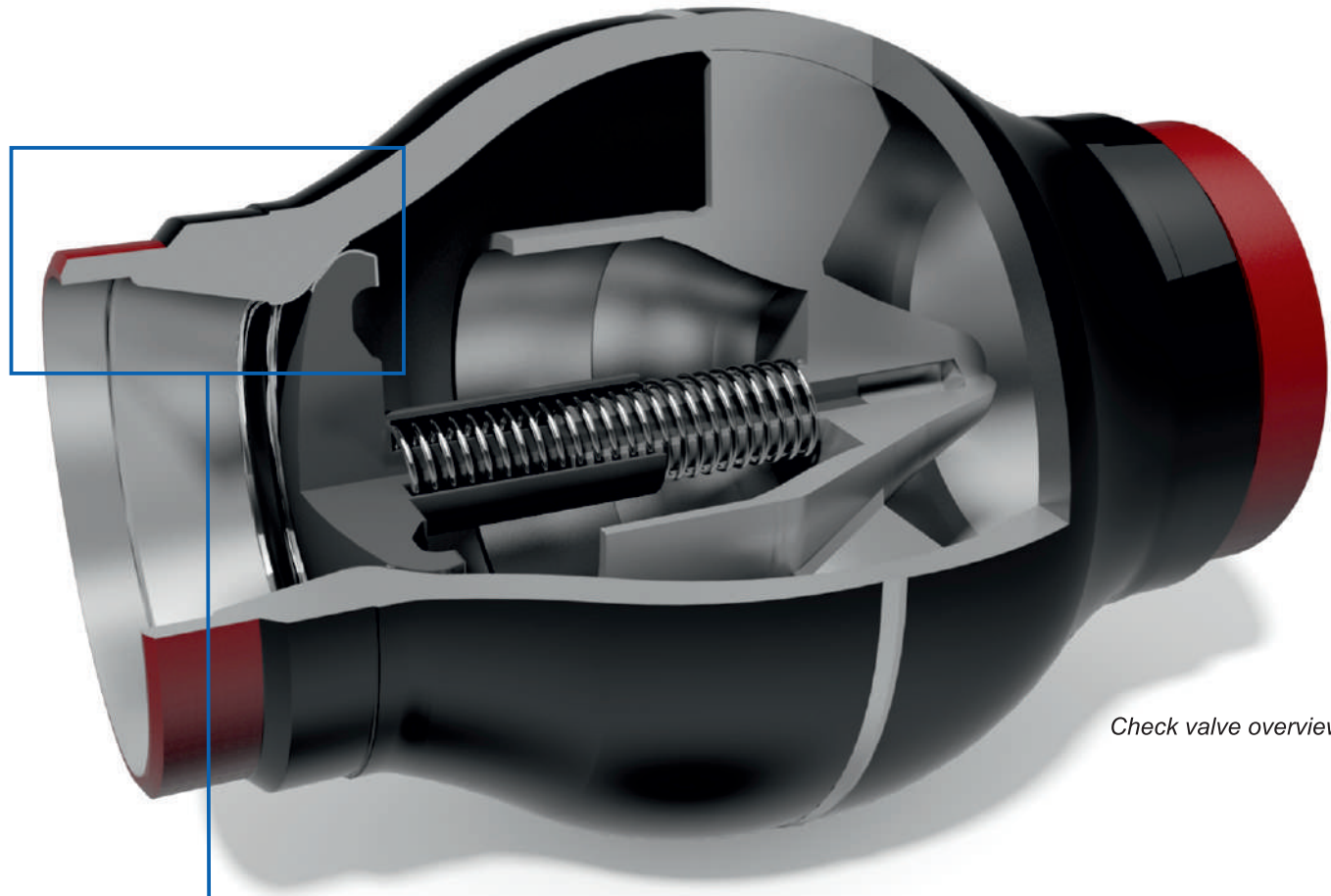
Check valve in open position

Axial Check Valve "CKR"

Axial Check Valve "CKR"

RMA Kehl GmbH & Co. KG
 Oststrasse 17
 D-77694 Kehl / Germany
info@rma-kehl.de
www.rma-armaturen.de

Axial Check Valve "CKR"



Check valve overview



Detail sealing area

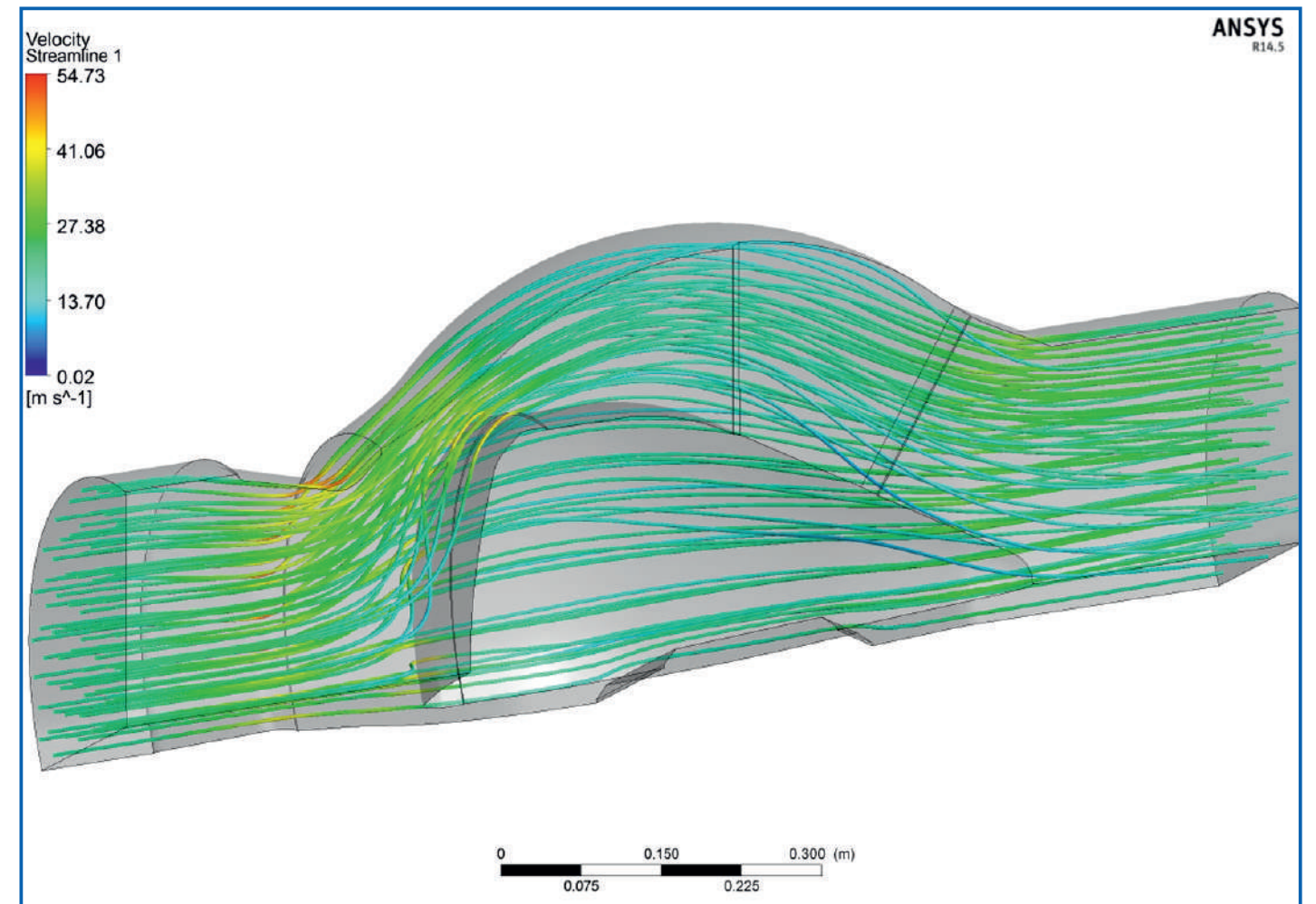
Hard faced stainless steel
Disc: 1.4502 (X8CrTi18)
Body: 1.4115 (X20CrMo17-1)

Design Features:

RMA axial check valves type „CKR“ are fully welded.

- the body and the disc are designed for a pressure loss as small as possible.
- the spring is designed for a quick reaction in case of flow changes.
- the sealing is metal-to-metal with hard faced stainless steel sealing surfaces.
- a buffer system is integrated to avoid noisy closing (opening)
- the dimensions are acc. to API 6D

Axial check valves are designed for horizontal position. Vertical position is possible by using a special spring.



Fluid dynamic simulation